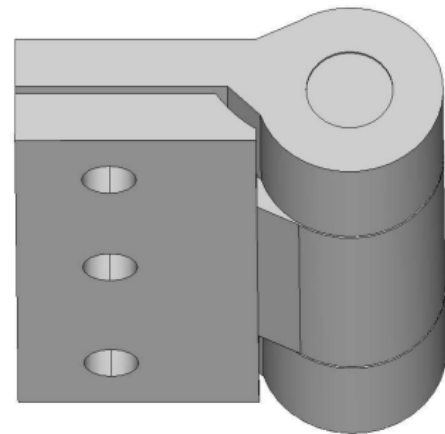
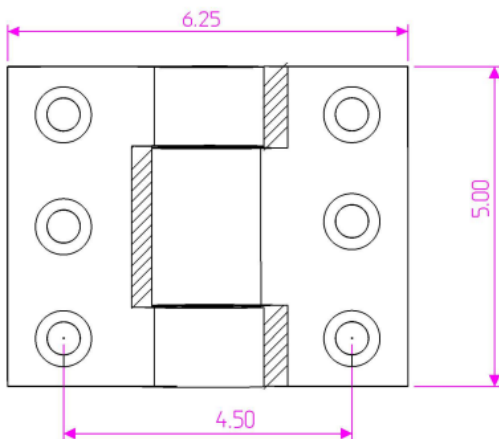
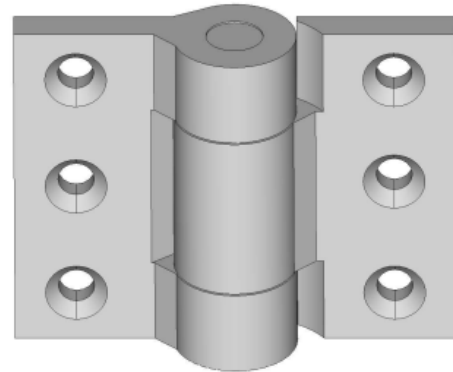


## 6 1/4" x 5" Stainless Steel Mortise Hinges

Model Number: 2000-316 Full  
Mortise

**Price: \$ 975**

- Application: Mortise
- Type: Non-Handed
- Material Type: 316L Stainless Steel
- Maximum Door Weight: 2000 LBS
- Maximum Radial Load: 800 LBS
- Mount: Weld On
- Approx Width: 6 1/4"
- Height: 5"
- Bearing Type: Needle & Thrust Bearings
- Finish: Plain
- Service: Heavy Duty



### Kiesler Machine Inc

13700 Chrissy Lane NE  
Palmyra, IN. 47164-8768

### Contact Info :

info@kieslermachine.com  
Toll-Free: 888-565-6610  
Phone: 812-364-6610



Smoother Than The Rest  
Guaranteed!

Data Provided For Reference Only.

Disclaimer: This drawing is property of Kiesler Machine Inc, Kieslermachine.com. It is owned with the understanding that it will in no way be used in a manner which is harmful to Kiesler Machine Inc.