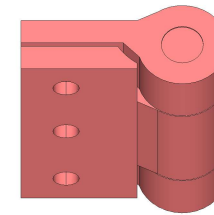
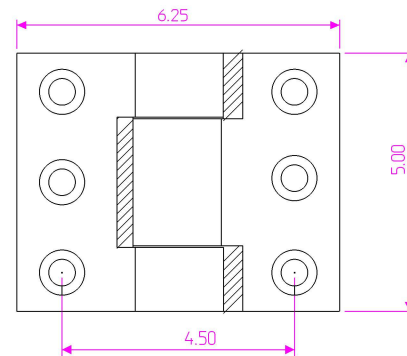
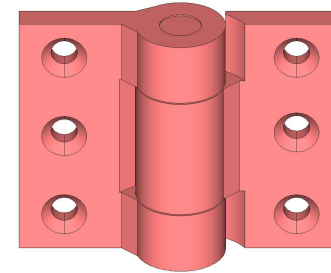


CAGE: 5NKY2

Duns # 148067614

Model Number - 2000 Full Mortise
Type - Non-Handed
Material Type - Carbon Steel
Maximum Door Weight - 2000 lbs.
Maximum Radial Load - 800 LBS
Mount - Bolt-On
Finish - Primer



THIS DRAWING IS THE PROPERTY OF
KIESLER MACHINE, INC./WWW.TOOLBIN.CC
IT IS LOANED WITH THE UNDERSTANDING
THAT IT WILL IN NO WAY BE USED IN
A MANNER WHICH IS HARMFUL TO
KIESLER MACHINE INC./WWW.TOOLBIN.CC

[HTTP://WWW.KIESLERMACHINE.COM](http://www.kieslermachine.com)
2024 Kiesler Machine Inc.

HINGES @ [KIESLERMACHINE.COM](http://www.kieslermachine.com)
888-565-6610

DATA PROVIDED FOR REFERENCE ONLY

PART NUMBER 2000 Full Mortise

Heavy Duty Mortise Hinge