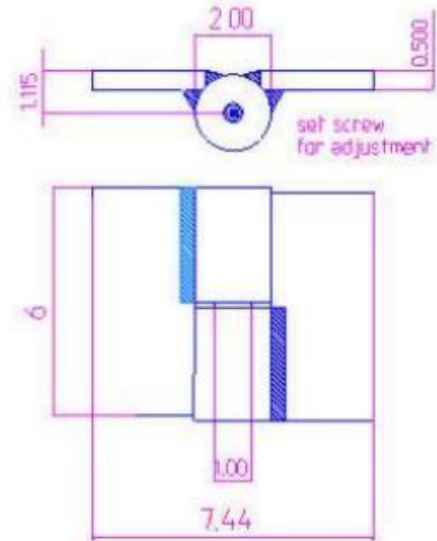
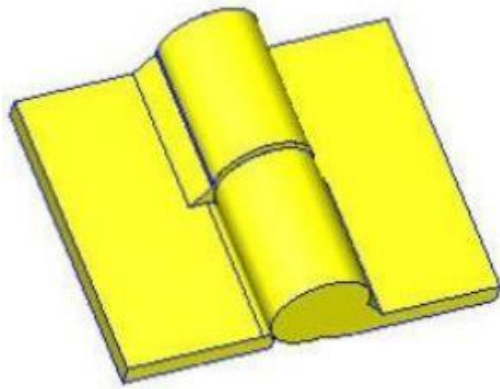
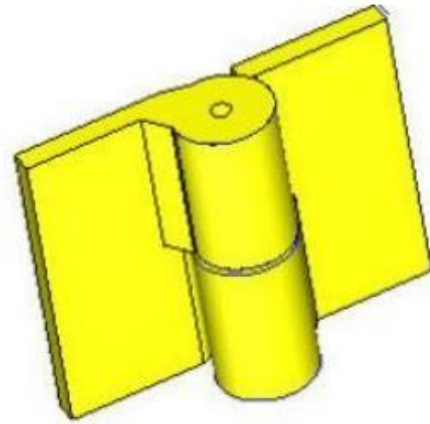


6" x 7 7/16" Carbon Steel Heavy Duty Hinges

Model Number: 2100 LH

Price: \$ 640

- Maximum Door Weight: 4,000 LBS
- Maximum Radial Load: 1,630 LBS
- Approx Width: 7 7/16"
- Height: 6"
- Leaf Thickness: 1/2"
- Weight: 13 LBS
- Mount: Weld On
- Material Type: Carbon Steel
- Finish: Primer



Kiesler Machine Inc

13700 Chrissy Lane NE
Palmyra, IN. 47164-8768

Contact Info :

info@kieslermachine.com
Toll-Free : 888-565-6610
Phone : 812-364-6610



Smoother Than The Rest
Guaranteed!

Data Provided For Reference Only.

Disclaimer: This drawing is property of Kiesler Machine Inc, Kieslermachine.com. It is owned with the understanding that it will in no way be used in a manner which is harmful to Kiesler Machine Inc.