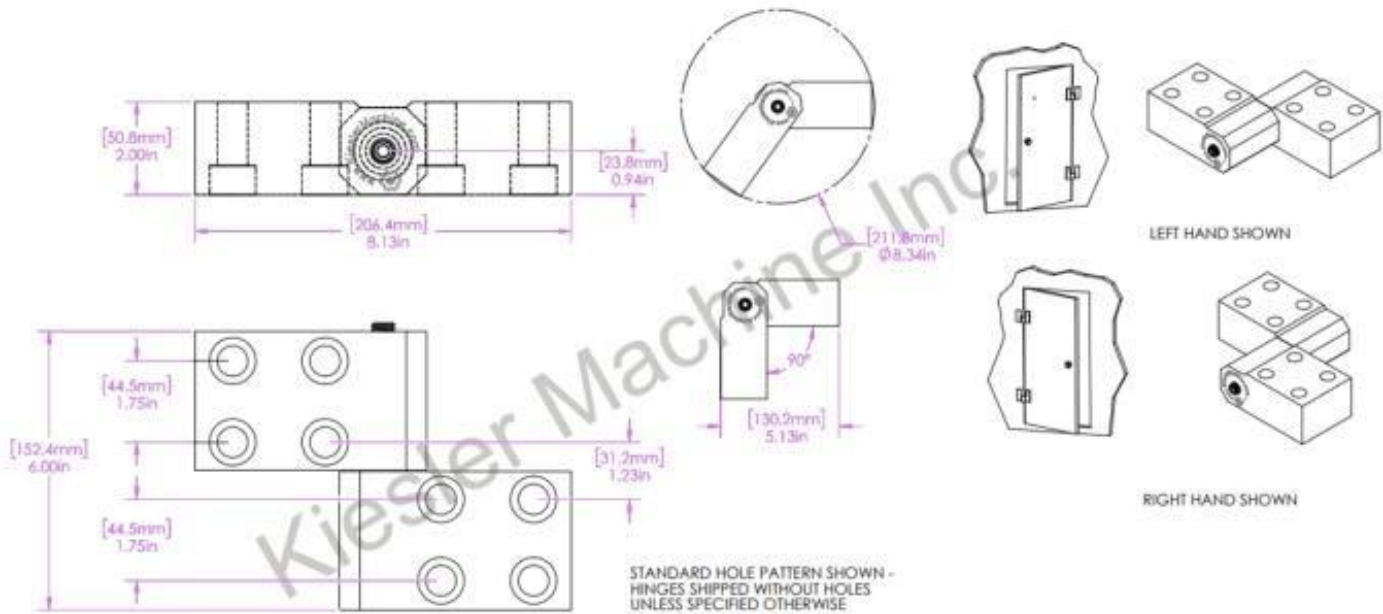


## 6"x 4" Model K Hinges

Model Number: 2100-K-LH

Price: \$ 595

- Material Type: Carbon steel
- Maximum Vertical Load: 4,000 LBS
- Maximum Radial Load: 1,630 LBS
- Approx. Width: 4"
- Height: 6"
- Leaf Thickness: 1/2"
- Weight: 12 LBS



### Kiesler Machine Inc

13700 Chrissy Lane NE  
Palmyra, IN. 47164-8768

### Contact Info :

info@kieslermachine.com  
Toll-Free : 888-565-6610  
Phone : 812-364-6610



Smoother Than The Rest  
Guaranteed!

Data Provided For Reference Only.

Disclaimer: This drawing is property of Kiesler Machine Inc, Kieslermachine.com. It is owned with the understanding that it will in no way be used in a manner which is harmful to Kiesler Machine Inc.