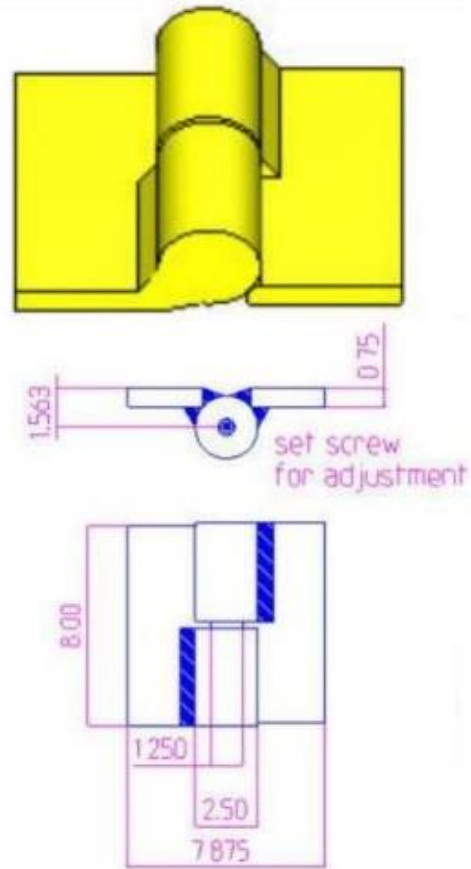
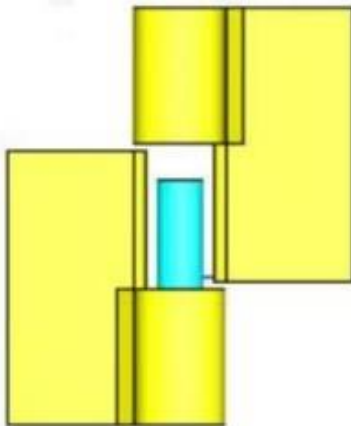


8" x 7 7/8" Carbon Steel Heavy Duty Hinge

Model Number: 2125RH-GALV

Price: \$ 1200

- Material Type: Carbon Steel
- Finish: Hot Dipped Galvanized
- Mount: Weld On
- Maximum Door Weight: 8,000 LBS
- Maximum Radial Load: 3,300 LBS
- Approx Width: 7 7/8"
- Height: 8"
- Leaf Thickness: 3/4"
- Weight: 23 LBS



Kiesler Machine Inc

13700 Chrissy Lane NE
Palmyra, IN. 47164-8768

Contact Info :

info@kieslermachine.com
Toll-Free : 888-565-6610
Phone : 812-364-6610



Smoother Than The Rest
Guaranteed!

Data Provided For Reference Only.