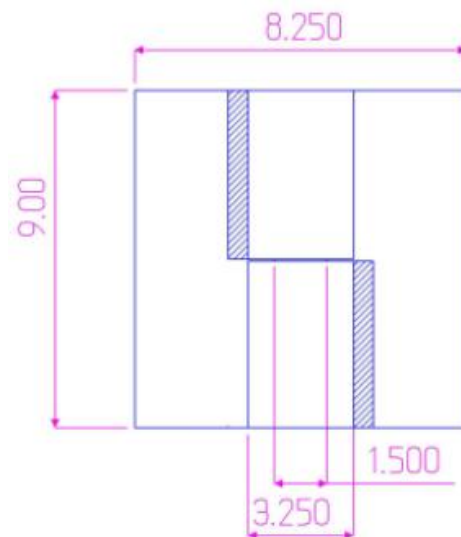
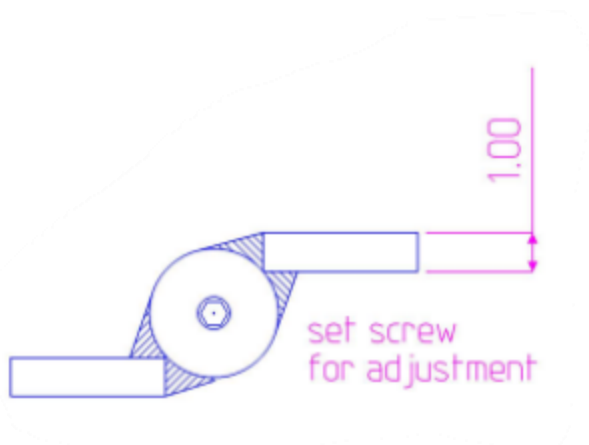
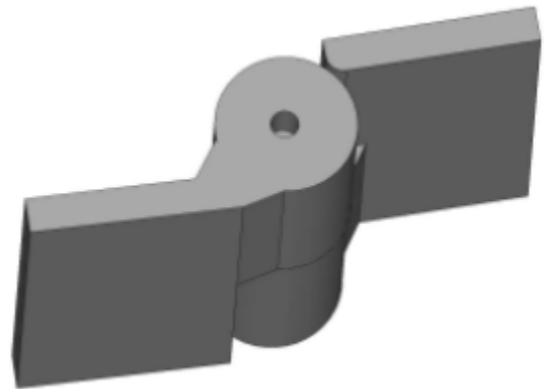


## 9"x 8 1/4" Stainless Steel Half Mortise Hinges

Model Number: 2150LH-304 Half  
Mortise

**Price: \$ 2475**

- Application: Half Mortise
- Type: Left Hand
- Material Type: 304L Stainless Steel
- Maximum Door Weight: 13,000 lbs.
- Maximum Radial Load: 6,820 lbs.
- Mount: Weld-On or Bolt-On
- Approx. Width: 8 1/4"
- Height: 9"
- Weight: 38 lbs.
- Bearing Type: Needle & Thrust Bearings
- Finish: Plain
- Service: Heavy Duty



### Kiesler Machine Inc

13700 Chrissy Lane NE  
Palmyra, IN. 47164-8768

### Contact Info :

info@kieslermachine.com  
Toll-Free: 888-565-6610  
Phone: 812-364-6610



Smoother Than The Rest  
Guaranteed!

Data Provided For Reference Only.

Disclaimer: This drawing is property of Kiesler Machine Inc, Kieslermachine.com. It is owned with the understanding that it will in no way be used in a manner which is harmful to Kiesler Machine Inc.