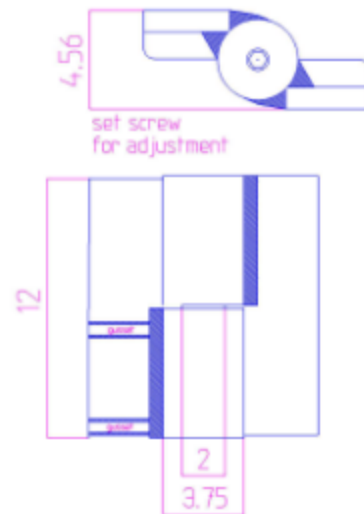
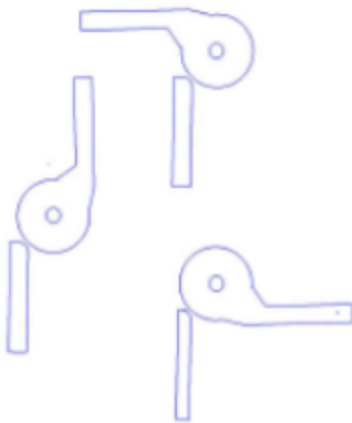
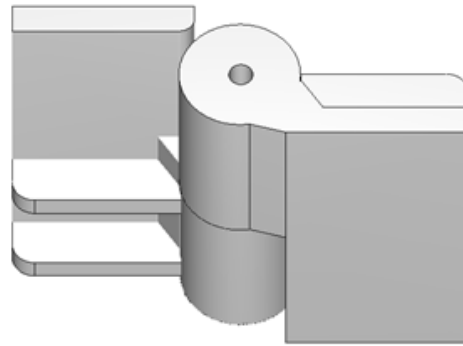


# 12" x 10 5/8" Stainless Steel Half Mortise Hinges

Model Number: 2200RH-304 Half  
Mortise

**Price: \$ 4300**

- Application: Half Mortise
- Type: Right-Hand
- Material Type: 304L Stainless Steel
- Maximum Door Weight: 20,000 lbs.
- Maximum Radial Load: 8,800 lbs.
- Mount: Weld-On or Bolt-On
- Approximate Width: 10 5/8"
- Height: 12"
- Weight: 66 lbs.
- Bearing Type: Thrust and Needle Bearings
- Finish: Plain
- Service: Heavy Duty



**Kiesler Machine Inc**

13700 Chrissy Lane NE  
Palmyra, IN. 47164-8768

**Contact Info :**

info@kieslermachine.com  
Toll-Free: 888-565-6610  
Phone: 812-364-6610



Smoother Than The Rest  
Guaranteed!

Data Provided For Reference Only.

Disclaimer: This drawing is property of Kiesler Machine Inc, Kieslermachine.com. It is owned with the understanding that it will in no way be used in a manner which is harmful to Kiesler Machine Inc.