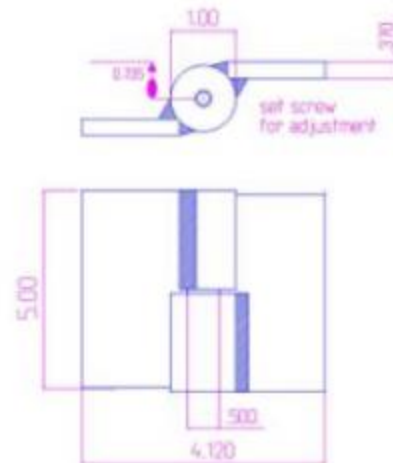
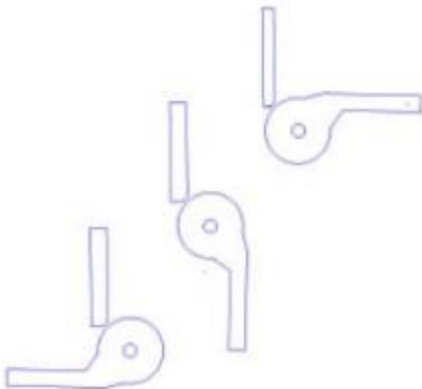
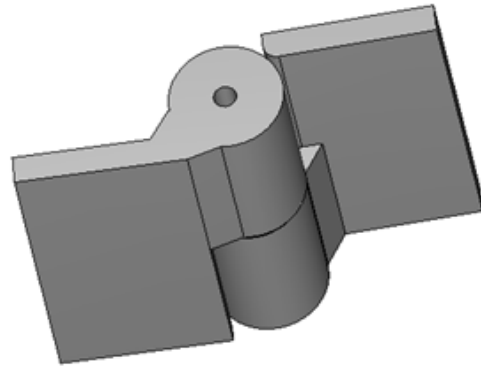


5" x 4 1/8 " Stainless Steel Half Mortise Hinges

Model Number: 2500LH-304 Half
Mortise

Price: \$ 450

- Application: Half-mortise
- Type: Left-Hand
- Material Type: 304L Stainless Steel
- Maximum Door Weight: 1,000 lbs.
- Maximum Radial Load: 400 lbs.
- Mount: Weld-On or Bolt-On
- Approximate Width: 4 1/8 "
- Height: 5"
- Weight: 4 lbs.
- Bearing Type: Needle & Thrust Bearings
- Finish: Plain
- Service: Heavy Duty



Kiesler Machine Inc

13700 Chrissy Lane NE
Palmyra, IN. 47164-8768

Contact Info :

info@kieslermachine.com
Toll-Free: 888-565-6610
Phone: 812-364-6610



Smoother Than The Rest
Guaranteed!

Data Provided For Reference Only.

Disclaimer: This drawing is property of Kiesler Machine Inc, Kieslermachine.com. It is owned with the understanding that it will in no way be used in a manner which is harmful to Kiesler Machine Inc.