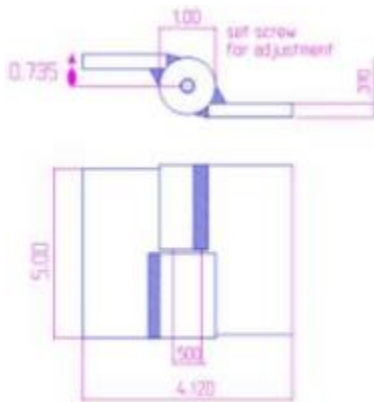
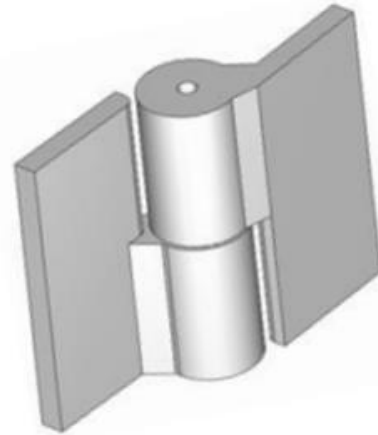


## 5" x 4 1/8" Heavy Duty Half Mortise Hinge

Model Number: 2500RH-316 Half  
Mortise

**Price: \$ 475**

- Application: Half Mortise
- Type: Right-Hand
- Material Type: 316L Stainless Steel
- Maximum Door Weight: 1,000 lbs.
- Maximum Radial Load: 400 lbs.
- Mount: Weld-On or Bolt-On
- Approximate Width: 4 1/8"
- Height: 5"
- Weight: 4 lbs.
- Bearing Type: Needle & Thrust Bearings
- Finish: Plain
- Service: Heavy Duty



**Kiesler Machine Inc**

13700 Chrissy Lane NE  
Palmyra, IN. 47164-8768

**Contact Info :**

info@kieslermachine.com  
Toll-Free: 888-565-6610  
Phone: 812-364-6610



Smoother Than The Rest  
Guaranteed!

Data Provided For Reference Only.

Disclaimer: This drawing is property of Kiesler Machine Inc, Kieslermachine.com. It is owned with the understanding that it will in no way be used in a manner which is harmful to Kiesler Machine Inc.