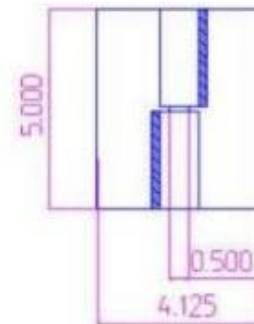
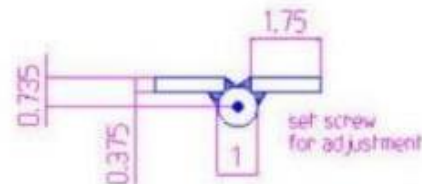
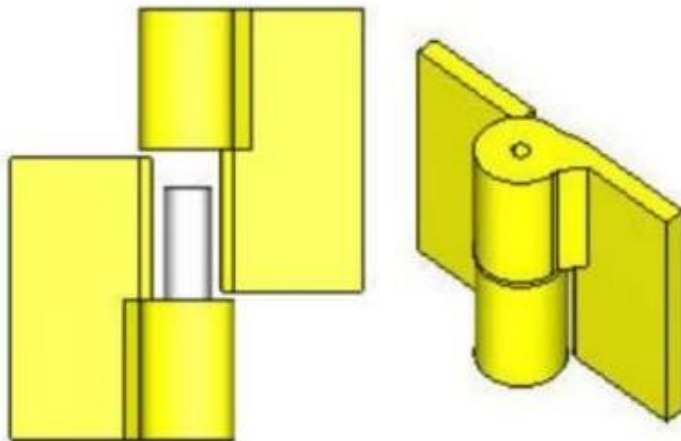
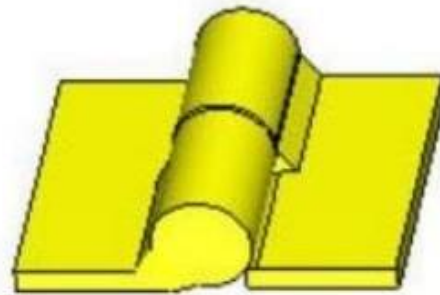


5" x 4 1/8" Carbon Steel Heavy Duty Hinge

Model Number: 2500RH-GALV

Price: \$ 395

- Material Type: Carbon Steel
- Finish: Hot Dipped Galvanized
- Mount: Bolt On
- Maximum Door Weight: 1,000 LBS
- Maximum Radial Load: 400 LBS
- Approx. Width: 4 1/8"
- Height: 5"
- Leaf Thickness: 3/8"
- Weight: 4 LBS



Kiesler Machine Inc

13700 Chrissy Lane NE
Palmyra, IN. 47164-8768

Contact Info :

info@kieslermachine.com
Toll-Free : 888-565-6610
Phone : 812-364-6610



Smoother Than The Rest
Guaranteed!

Data Provided For Reference Only.