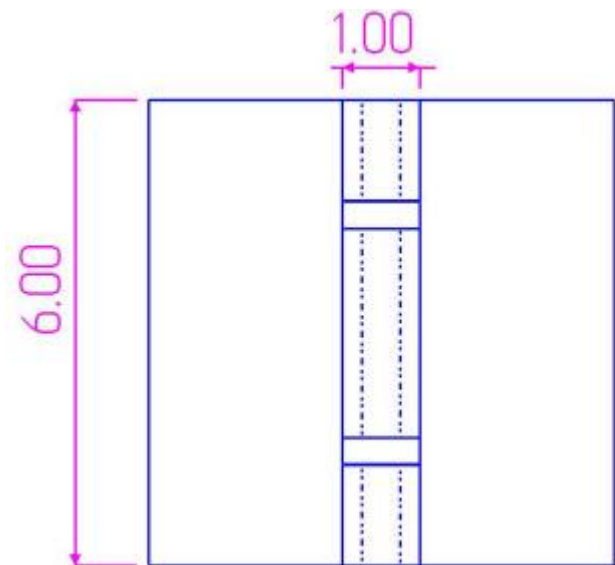
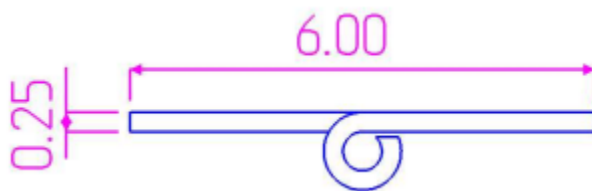
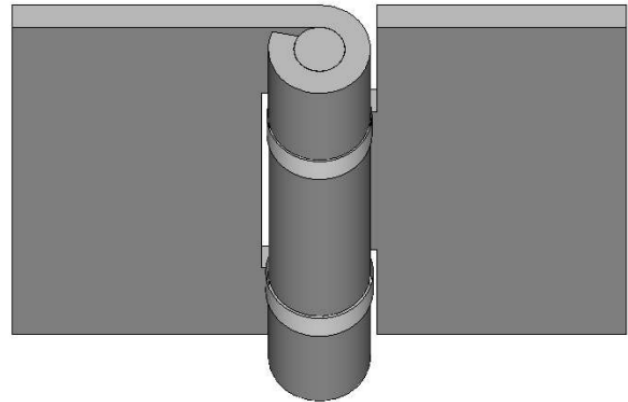


## 6"x 6" Heavy Duty Butt Hinge

Model Number: B-2566

Price: \$ 205

- Type: Formed Butt Hinge
- Material Type: Carbon Steel
- Thickness: 1/4"
- Maximum Door Weight: 400 LBS
- Maximum Radial Load: 300 LBS
- Mount: Weld-on
- Finish: Plain or Primer
- Weight: 3 LBS



### Kiesler Machine Inc

13700 Chrissy Lane NE  
Palmyra, IN. 47164-8768

### Contact Info :

info@kieslermachine.com  
Toll-Free: 888-565-6610  
Phone: 812-364-6610



Smoother Than The Rest  
Guaranteed!

Data Provided For Reference Only.

Disclaimer: This drawing is property of Kiesler Machine Inc, Kieslermachine.com. It is owned with the understanding that it will in no way be used in a manner which is harmful to Kiesler Machine Inc.