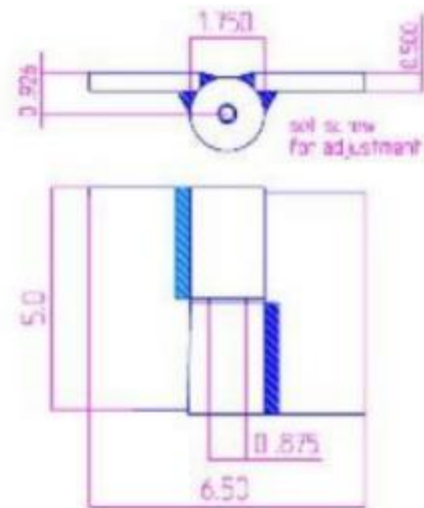
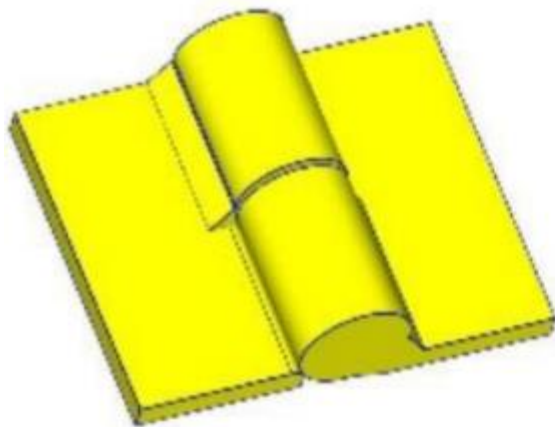
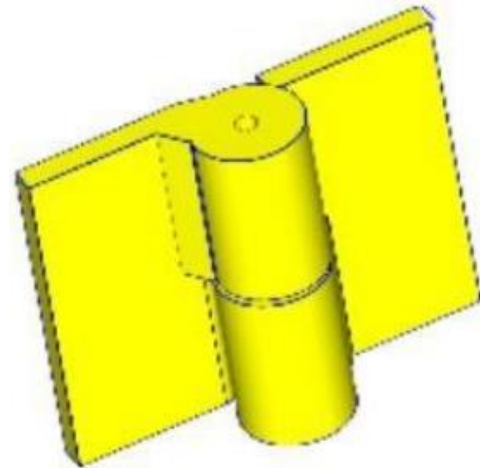


5" x 6 1/2" Carbon Steel Heavy Duty Hinges

Model Number: 2875 RH

Price: \$ 460

- Maximum Door Weight: 3,000 LBS
- Maximum Radial Load: 1,220 LBS
- Approx Width: 6 1/2"
- Height: 5"
- Leaf Thickness: 1/2"
- Weight: 7 LBS
- Mount: Weld On
- Material Type: Carbon Steel
- Finish: Primer



Kiesler Machine Inc

13700 Chrissy Lane NE
Palmyra, IN. 47164-8768

Contact Info :

info@kieslermachine.com
Toll-Free : 888-565-6610
Phone : 812-364-6610



Smoother Than The Rest
Guaranteed!

Data Provided For Reference Only.