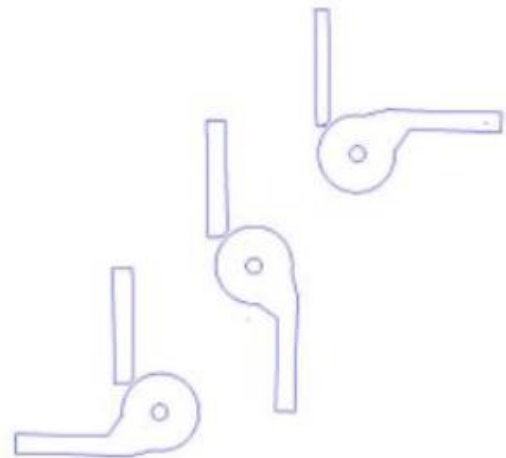
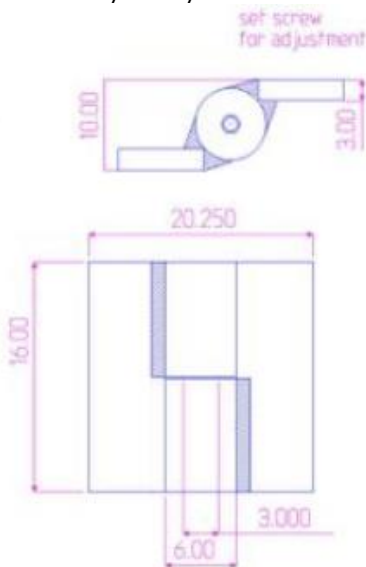
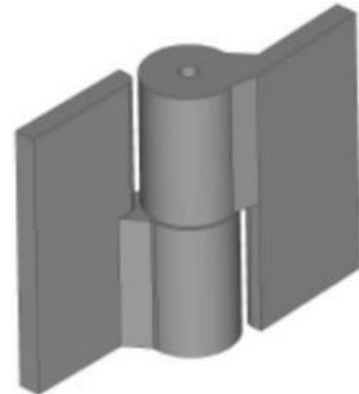


16" x 20 1/4" Heavy Duty Half Mortise Hinge

Model Number: 3000RH-304 Half
Mortise

Price: \$ On Request

- Application: Half mortise
- Type: Right-Handed
- Material Type: 304L Stainless Steel
- Maximum Door Weight: 40,000 LBS.
- Maximum Radial Load: 25,000 LBS.
- Mount: Weld-On or Bolt-On
- Approximate Width: 20 1/4"
- Height: 16"
- Weight: 480 LBS
- Bearing Type: Needle bearings and a thrust bearing
- Finish: Plain
- Service: Heavy Duty



Kiesler Machine Inc

13700 Chrissy Lane NE
Palmyra, IN. 47164-8768

Contact Info :

info@kieslermachine.com
Toll-Free : 888-565-6610
Phone : 812-364-6610



Smoother Than The Rest
Guaranteed!

Data Provided For Reference Only.