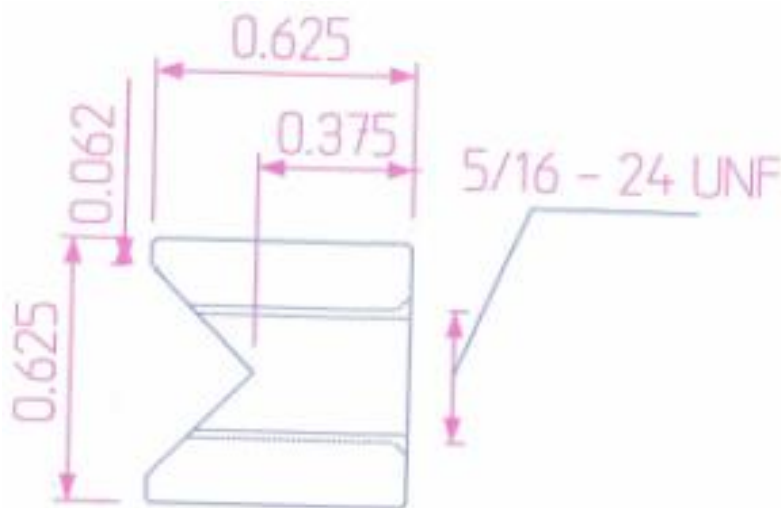


5/16 - 24 UNF 6061-T6 Aluminum Heavy Duty Weld Nut

Model Number: 661M24

Price: \$ 8.85

- Material Type: 6061-T6 Aluminum
- Finish: Plain
- Classification: Heavy Duty
- Hole Size: 5/16 - 24 UNF
- Stock Diameter: 5/8"
- Overall Length: 5/8"
- % of Thread Engagement: 120 %



Kiesler Machine Inc

P.O. Box 357
13700 S. Martin Mathis Road N.E.
Palmyra, IN. 47164

Contact Info :

info@kieslermachine.com
Toll-Free : 888-565-6610
Phone : 812-364-6610



Smoother Than The Rest
- Guaranteed!

Data Provided For Reference Only.

Disclaimer: This drawing is property of Kiesler Machine Inc, Kieslermachine.com. It is owned with the understanding that it will in no way be used in a manner which is harmful to Kiesler Machine Inc.