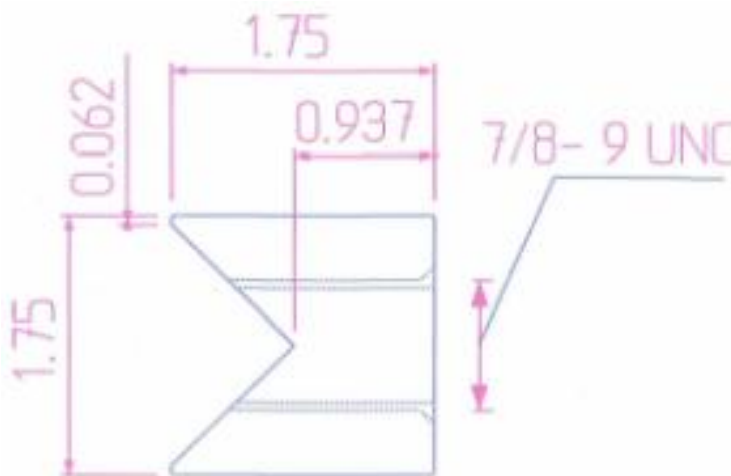


7/8 - 9 UNC 6061-T6 Aluminum Heavy Duty Weld Nut

Model Number: 661M37

Price: \$ 18.48

- Material Type: 6061-T6 Aluminum
- Finish: Plain
- Classification: Heavy Duty
- Hole Size: 7/8 - 9 UNC
- Stock Diameter: 1 3/4"
- Overall Length: 1 3/4"
- % of Thread Engagement: 107 %



Kiesler Machine Inc

P.O. Box 357
13700 S. Martin Mathis Road N.E.
Palmyra, IN. 47164

Contact Info :

info@kieslermachine.com
Toll-Free : 888-565-6610
Phone : 812-364-6610



Smoother Than The Rest
- Guaranteed!

Data Provided For Reference Only.

Disclaimer: This drawing is property of Kiesler Machine Inc, Kieslermachine.com. It is owned with the understanding that it will in no way be used in a manner which is harmful to Kiesler Machine Inc.