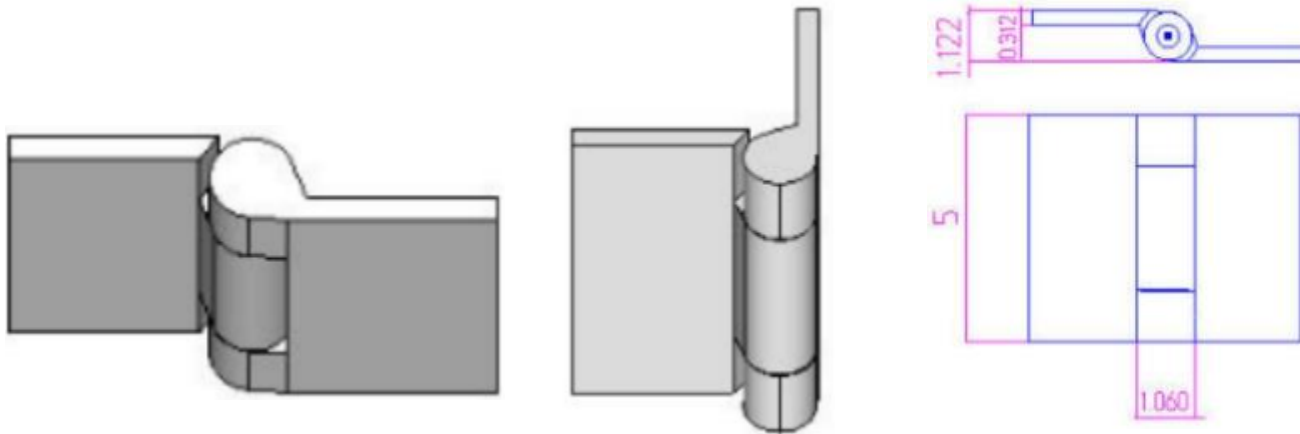
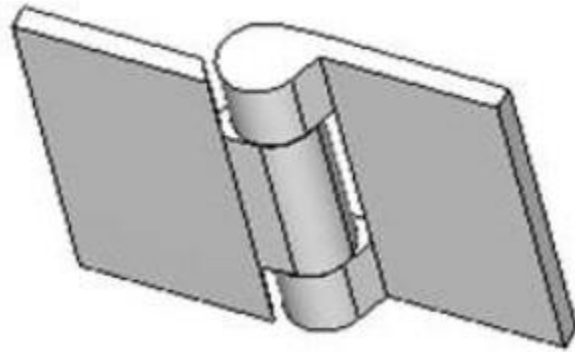


# 5" x 6" Stainless Steel Half Mortise Security Hinges

Model Number: 800-316-Half Mortise

Price: \$ 695

- Material Type: 316L Stainless Steel
- Mount: Weld On
- Type: Non-Handed
- Application: Security
- Maximum Door Weight: 800 LBS
- Maximum Radial Load: 320 LBS
- Approx Width: 6"
- Height: 5"
- Weight: 4 LBS
- Leaf Thickness: 5/16"



**Kiesler Machine Inc**

13700 Chrissy Lane NE  
Palmyra, IN. 47164-8768

**Contact Info :**

info@kieslermachine.com  
Toll-Free: 888-565-6610  
Phone: 812-364-6610



Smoother Than The Rest  
Guaranteed!

Data Provided For Reference Only.

Disclaimer: This drawing is property of Kiesler Machine Inc, Kieslermachine.com. It is owned with the understanding that it will in no way be used in a manner which is harmful to Kiesler Machine Inc.