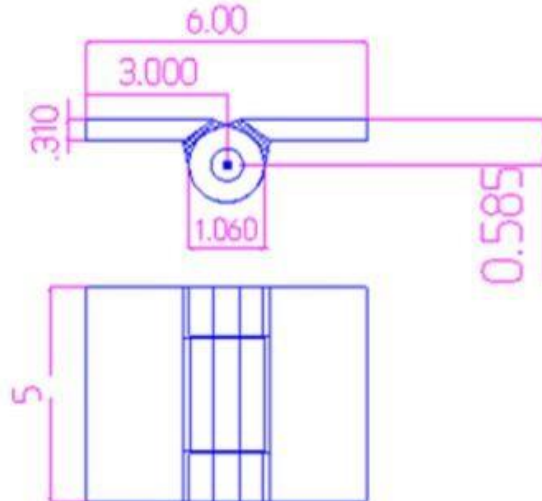
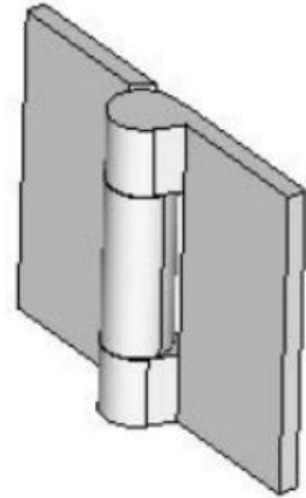


5" x 6" Stainless Steel Security Hinges

Model Number: 800-316

Price: \$ 695

- Material Type: 316L Stainless Steel
- Mount: Weld On
- Type: Non-Handed
- Application: Security
- Maximum Door Weight: 800 LBS
- Maximum Radial Load: 320 LBS
- Approx Width: 6"
- Height: 5"
- Leaf Thickness: 5/16"
- Weight: 4 LBS



Kiesler Machine Inc

13700 Chrissy Lane NE
Palmyra, IN. 47164-8768

Contact Info :

info@kieslermachine.com
Toll-Free : 888-565-6610
Phone : 812-364-6610



Smoother Than The Rest
Guaranteed!

Data Provided For Reference Only.