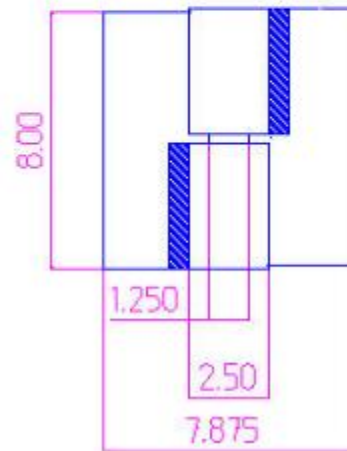
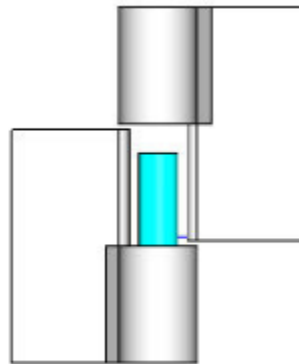
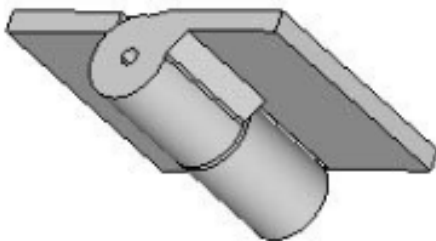
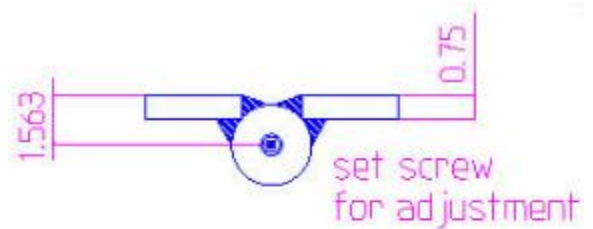
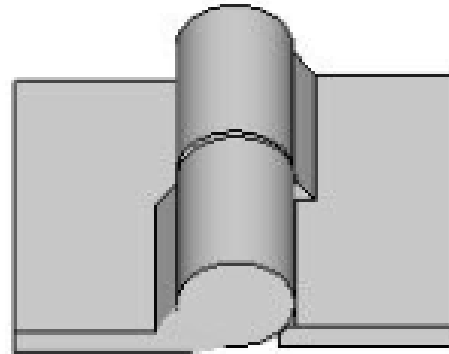


8" x 7 7/8" Stainless Steel Heavy Duty Hinges

Model Number: 2125RH-304

Price: \$ 995

- Material Type: 304L Stainless Steel
- Mount: Weld On
- Maximum Door Weight: 8,000 LBS
- Maximum Radial Load: 3,300 LBS
- Approx. Width: 7 7/8"
- Height: 8"
- Leaf Thickness: 3/4"
- Weight: 23 LBS



Kiesler Machine Inc

P.O. Box 357
13700 S. Martin Mathis Road N.E.
Palmyra, IN. 47164

Contact Info :

info@kieslermachine.com
Toll-Free : 888-565-6610
Phone : 812-364-6610



Smoother Than The
Rest - Guaranteed!

Data Provided For Reference Only.

Disclaimer: This drawing is property of Kiesler Machine Inc, Kieslermachine.com. It is owned with the understanding that it will in no way be used in a manner which is harmful to Kiesler Machine Inc.