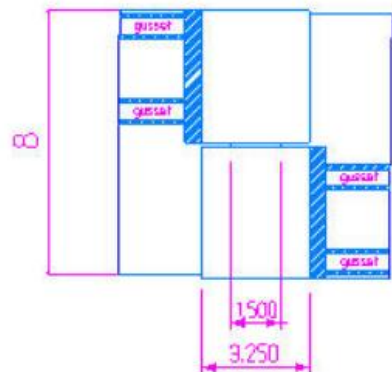
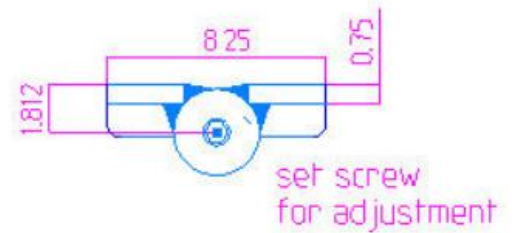
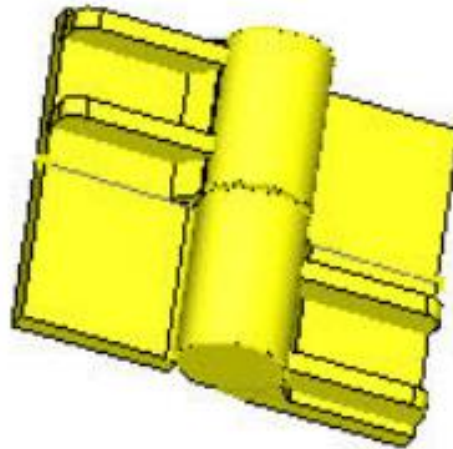
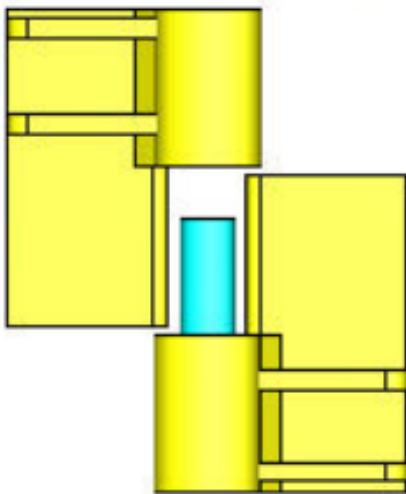
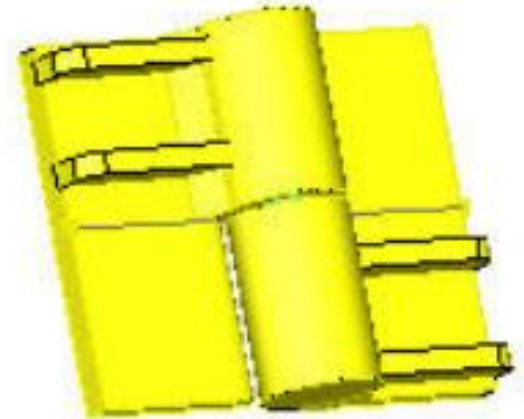


8" x 8 1/4" Carbon Steel Heavy Duty Hinge

Model Number: 2150 LH

Price: \$ 725

- Maximum Door Weight: 13,000 LBS
- Maximum Radial Load: 6,820 LBS
- Approx. Width: 8 1/4"
- Height: 8"
- Leaf Thickness: 3/4"
- Weight: 33 LBS
- Mount: Weld On
- Material Type: Carbon Steel
- Finish: Primer



Kiesler Machine Inc

P.O. Box 357
13700 S. Martin Mathis Road N.E.
Palmyra, IN. 47164

Contact Info :

info@kieslermachine.com
Toll-Free : 888-565-6610
Phone : 812-364-6610



Smoother Than The Rest -
Guaranteed!

Data Provided For Reference Only.