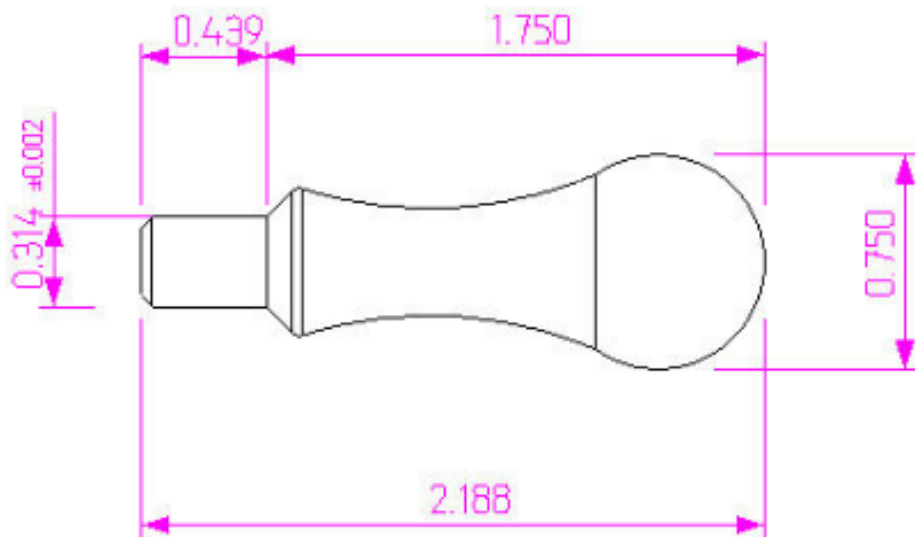
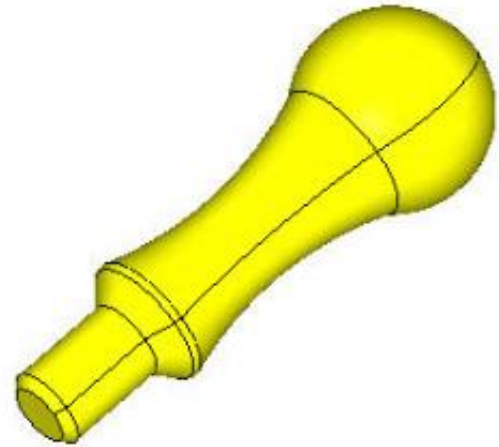


7/16" x 2 3/16" Solid Machine Handle Polished

Model Number: 31P750

Price: \$ 11.95

- Material Type: Mild Steel
- Mount: Press Fit
- Measurement: Inch
- End Size: 0.314
- Stud Length: 7/16"
- Handle Length: 1 3/4"
- Overall Length: 2 3/16"
- Finish: Polished



Kiesler Machine Inc

P.O. Box 357
13700 S. Martin Mathis Road N.E.
Palmyra, IN. 47164

Contact Info :

info@kieslermachine.com
Toll-Free : 888-565-6610
Phone : 812-364-6610



Smoother Than The Rest
- Guaranteed!

Data Provided For Reference Only.

Disclaimer: This drawing is property of Kiesler Machine Inc, Kieslermachine.com. It is owned with the understanding that it will in no way be used in a manner which is harmful to Kiesler Machine Inc.