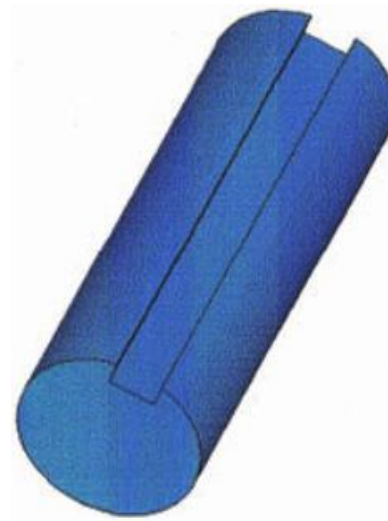
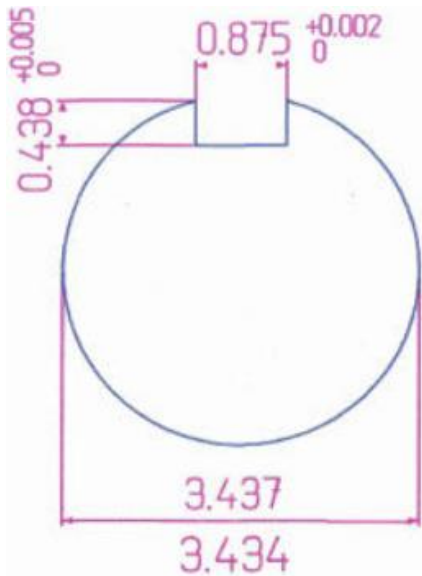


3 7/16" x 6" long 1045 TG & P Keyed Shaft

Model Number: 3437X6

Price: \$ 78.15

- Shaft Diameter: 3 7/16"
- Shaft Length: 6"
- Keyway Width: 7/8"
- Keyway Depth: 7/16"
- Material: 1045 TG & P
- Measurement: Inch



Kiesler Machine Inc

P.O. Box 357
13700 S. Martin Mathis Road N.E.
Palmyra, IN. 47164

Contact Info :

info@kieslermachine.com
Toll-Free : 888-565-6610
Phone : 812-364-6610



Smoother Than The Rest
- Guaranteed!

Data Provided For Reference Only.

Disclaimer: This drawing is property of Kiesler Machine Inc, Kieslermachine.com. It is owned with the understanding that it will in no way be used in a manner which is harmful to Kiesler Machine Inc.