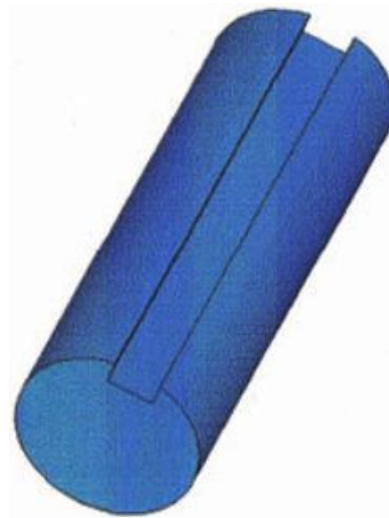
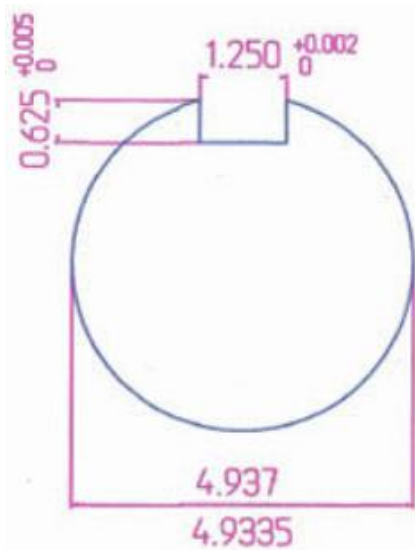


# 4 15/16" x 36" long 1045 TG & P Keyed Shaft

Model Number: 4937X36

Price: \$ 546.45

- Shaft Diameter: 4 15/16"
- Shaft Length: 36"
- Keyway Width: 1 1/4"
- Keyway Depth: 5/8"
- Material: 1045 TG & P
- Measurement: Inch



## Kiesler Machine Inc

P.O. Box 357  
13700 S. Martin Mathis Road N.E.  
Palmyra, IN. 47164

## Contact Info :

info@kieslermachine.com  
Toll-Free : 888-565-6610  
Phone : 812-364-6610



Smoother Than The Rest  
- Guaranteed!

Data Provided For Reference Only.

Disclaimer: This drawing is property of Kiesler Machine Inc, Kieslermachine.com. It is owned with the understanding that it will in no way be used in a manner which is harmful to Kiesler Machine Inc.